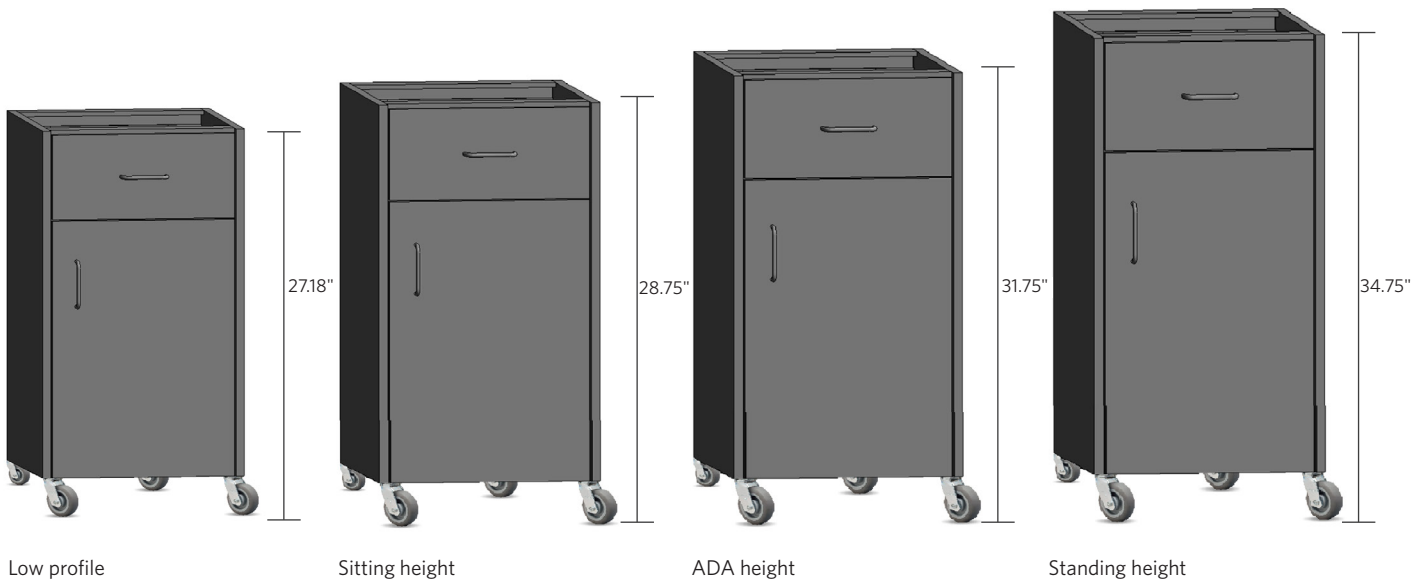


mobile cabinets

All AMS cabinets are available in a mobile version including low profile (27.18" high), sitting height (28.75" high), ADA height (31.75" high), and standing height (34.75" high). They come standard with a finished back and optional finished top. To specify a mobile cabinet use the prefix "M" to the base cabinet model number (example: SMB2724-110). They come standard with a 3" caster. 2" casters are available by adding the suffix "-2" to the part number. Cabinet depth with finished back is 22.812". All mobile cabinets with drawers come standard with a tip resistant counter weight.

Tops: please add the suffix "T" for steel, "E" for epoxy, "P" for phenolic. All tops are 3/4" thick.
(example SMB2724-110L-T)



hanging cabinets

All AMS cabinets are available in a hanging version including low profile (23.18" high), sitting height (24.875" high), ADA height (27.875" high), and standing height (30.875" high). To specify a hanging cabinet use the prefix "H" to the base cabinet model number (example: SHB2324-110). Finished backs are optional and can be specified with the suffix "-FB". Low profile cabinets should be used for adjustable height work benches or table frames on casters to allow the caster to swivel if the adjustable leg is positioned in the lowest setting.

