



Student Table

The complete flexibility of the Solution Series™ Student Table (ST) will handle a multitude of functions in the laboratory environment. From clean rooms and research facilities to teaching labs, there is a configuration to meet your needs. The Student Table is available in a multitude of sizes and can be ordered in stationary, adjustable height and knock down versions.

Model # **ST-AL4830-E**
See reverse for ordering guide.

so adaptable.

- Wall and island configurations can be readily created and easily changed as well as moved for new applications or changing space
- Can be used in conjunction with mobile or floor-mounted casework
- Solid welded construction
- Stationary models include a fine-adjust leveling foot
- Can be ordered as mobile models with 330 lb. casters
- Static load capacity of 1000 lbs. (on stationary models)
- Standard working height is 36"
- Adjustable height from 30-38"
- Available in 36, 48, 60 and 72" widths
- Available in 24, 30 and 36" depths
- Cabinets ordered separately
- Counter top options available
- Adjustable height models include a leg lock-down bolt and adjust in 1" increments

Lab Furniture and Fume Hoods

2385 South 179th Street, Unit C • New Berlin, WI 53146 • 262.204.7600 • 888.358.7380 fax • www.labfurnitureandfumehoods.com



Ordering Guide

Solution Series™ Student Table

Legs:

- A Adjustable
- S Stationary
- K Knock down

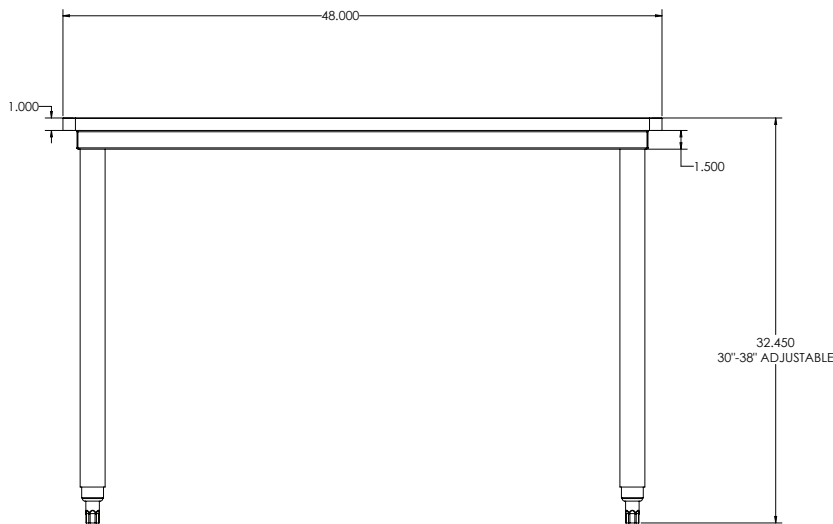
Feet:

- L Leveling Feet
- C 330 lb. Casters

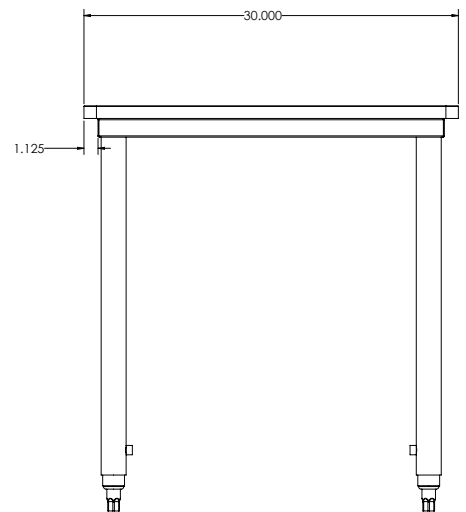
ST - AL4830 - E

Width:	Depth:	Top:
36"	24"	E Epoxy
48"	30"	P Phenolic
60"	36"	O Other
72"		N None

Note: Knock down models are not available with casters and have a 5.5" apron on three sides and an ADA accessible front.



STUDENT TABLE FRONT VIEW:



STUDENT TABLE END VIEW:

ST-AL4830-E
(model as shown)



Lab Furniture and Fume Hoods

2385 South 179th Street, Unit C • New Berlin, WI 53146 • 262.204.7600 • 888.358.7380 fax • www.labfurnitureandfumehoods.com



Model # **WB-SL4830-E00N**
See reverse for ordering guide.

Workbench & Table Frame

The complete flexibility of the Solution Series™ Workbench (WB) and Table Frame (TF) systems will handle a multitude of functions in the laboratory environment. From clean rooms and research facilities to teaching labs, there is a configuration to meet your needs. Both the Workbench and Table Frame share the same key features detailed below, and the Workbench incorporates slotted tubing uprights for shelving options.

so adaptable.

- Wall and island configurations can be readily created and easily changed as well as moved for new applications or changing space
- Can be used in conjunction with suspended, mobile or floor-mounted casework
- Solid welded construction
- Stationary models include a fine-adjust leveling foot
- Can be ordered as mobile models with 330, 600 or 1000 lb. casters
- Static load capacity of 1000 lbs. (on stationary models)
- Standard working height is 36" with a depth of 30"
- Adjustable height from 29-38"
- Available in 36, 48, 60 and 72" widths
- Cabinets or apron assemblies ordered separately
- Counter top options available
- WB includes one shelf on 16" inverted shelf brackets
- WB shelving adjustable in 1" increments (additional shelving available)

Lab Furniture and Fume Hoods

2385 South 179th Street, Unit C • New Berlin, WI 53146 • 262.204.7600 • 888.358.7380 fax • www.labfurnitureandfumehoods.com



Ordering Guide

Solution Series™ Workbench

- | | | |
|--------------------|-------------|-----------------------|
| Feet: | Top: | Bracket Style: |
| L Leveling Feet | E Epoxy | B Book Ends |
| C 330 lb. Casters | P Phenolic | I Inverted |
| H 600 lb. Casters | O Other | S Seismic |
| X 1000 lb. Casters | N None | N None |

WB - SL4830 - E00N

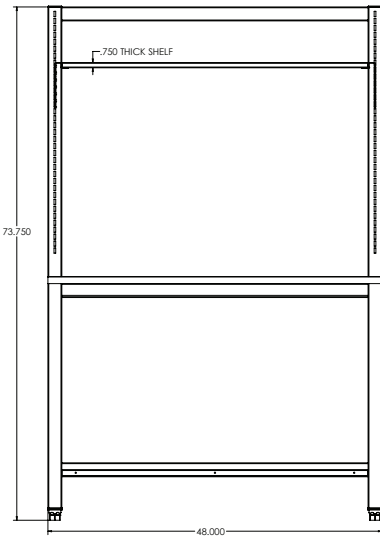
- | | | | | |
|--------------|---------------|---------------|--|--|
| Legs: | Width: | Depth: | 1st additional shelf/brackets: | 2nd additional shelf/brackets: |
| A Adjustable | 36" | 30" | 2=12" | 2=12" |
| S Stationary | 48" | | 6=16" | 0=None |
| | 60" | | 6=16" | |
| | 72" | | 0=None | |

Solution Series™ Table Frame

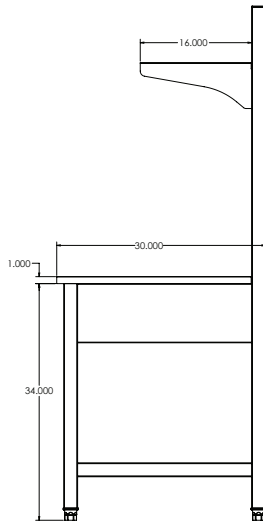
- | | |
|--------------------|-------------|
| Feet: | Top: |
| L Leveling Feet | E Epoxy |
| C 330 lb. Casters | P Phenolic |
| H 600 lb. Casters | O Other |
| X 1000 lb. Casters | N None |

TF - SL4830 - E

- | | | |
|--------------|---------------|---------------|
| Legs: | Width: | Depth: |
| A Adjustable | 36" | 30" |
| S Stationary | 48" | |
| | 60" | |
| | 72" | |



WORKBENCH FRONT VIEW:



WORKBENCH END VIEW:

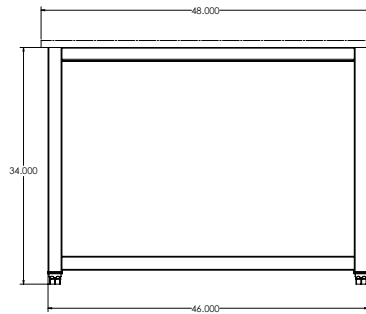


TABLE FRAME FRONT VIEW:

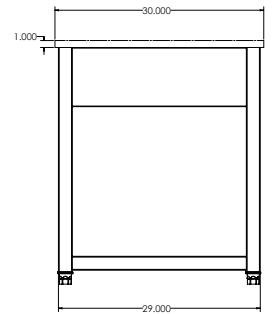


TABLE FRAME END VIEW:

WB-SL4830-E00N

(model as shown)

TF-SL4830-E

(model as shown)



Lab Furniture and Fume Hoods

2385 South 179th Street, Unit C • New Berlin, WI 53146 • 262.204.7600 • 888.358.7380 fax • www.labfurnitureandfumehoods.com